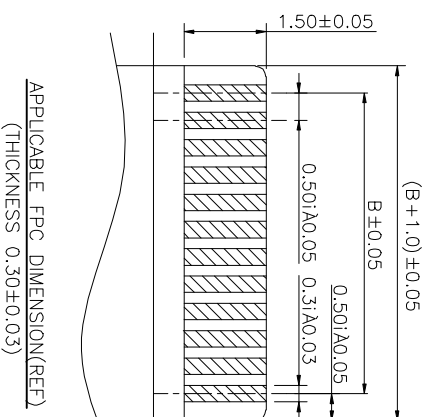
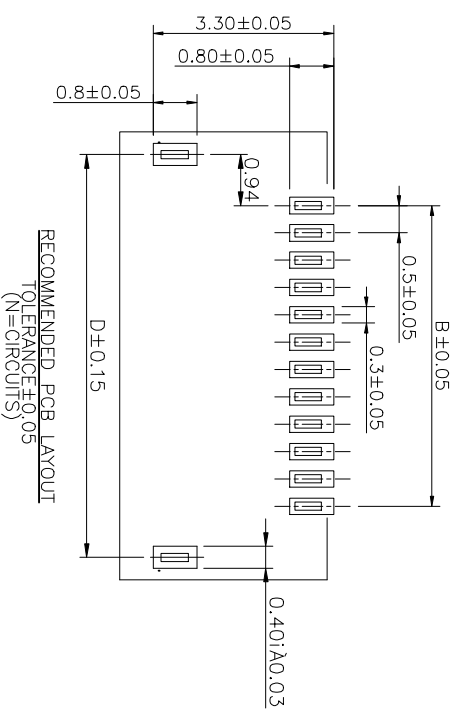
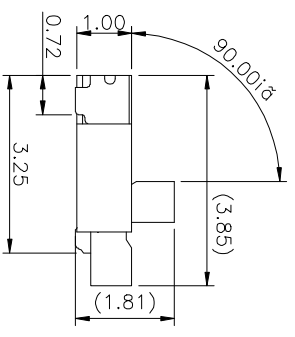
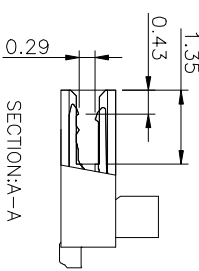
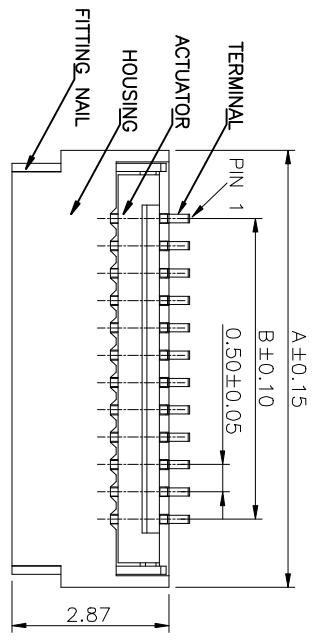
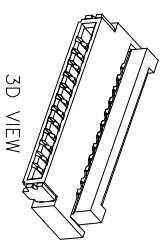


| | | | | |
|------|---------|------------|------|-------------|
| REV. | ECO NO. | DATE | SIGN | DESCRIPTION |
| A | | 2014.06.18 | | NEW DRAWING |



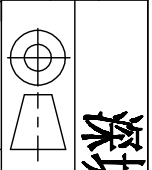
RECOMMENDED PCB LAYOUT
TOLERANCE ± 0.05
(N=CIRCUITS)

APPLICABLE FPC DIMENSION(REF)
(THICKNESS 0.30 ± 0.03)

- NOTES:
1. MATERIAL:
HOUSING: HIGH-TEMP PLASTIC, UL 94-V0, COLOR: NATURE;
COVER: HIGH-TEMP PLASTIC, UL 94-V0, COLOR: BLACK;
CONTACT: COPPER ALLOY;
LEG: COPPER ALLOY;
 2. PLATING:
CONTACT: GOLD OR TIN PLATED ON NICKEL OVERALL.
LEG: TIN PLATED ON NICKEL OVERALL.
 3. RATING:
CURRENT RATING: 0.5A AC/DC
VOLTAGE RATING: 25V AC/DC
TEMPERATURE RANGE: -25°C~+85°C.

| PIN | A | B | C | D | PIN | A | B | C | D |
|-----|-------|-------|-------|-------|-----|-------|-------|-------|-------|
| 4 | 4.00 | 1.50 | 2.60 | 3.37 | 33 | 18.50 | 16.00 | 17.10 | 17.87 |
| 5 | 4.50 | 2.00 | 3.10 | 3.87 | 34 | 19.00 | 16.50 | 17.60 | 18.37 |
| 6 | 5.00 | 2.50 | 3.60 | 4.37 | 35 | 19.50 | 17.00 | 18.10 | 18.87 |
| 7 | 5.50 | 3.00 | 4.10 | 4.87 | 36 | 20.00 | 17.50 | 18.60 | 19.37 |
| 8 | 6.00 | 3.50 | 4.60 | 5.37 | 37 | 20.50 | 18.00 | 19.10 | 19.87 |
| 9 | 6.50 | 4.00 | 5.10 | 5.87 | 38 | 21.00 | 18.50 | 19.60 | 20.37 |
| 10 | 7.00 | 4.50 | 5.60 | 6.37 | 39 | 21.50 | 19.00 | 20.10 | 20.87 |
| 11 | 7.50 | 5.00 | 6.10 | 6.87 | 40 | 22.00 | 19.50 | 20.60 | 21.37 |
| 12 | 8.00 | 5.50 | 6.60 | 7.37 | 41 | 22.50 | 20.00 | 21.10 | 21.87 |
| 13 | 8.50 | 6.00 | 7.10 | 7.87 | 42 | 23.00 | 20.50 | 21.60 | 22.37 |
| 14 | 9.00 | 6.50 | 7.60 | 8.37 | 43 | 23.50 | 21.00 | 22.10 | 22.87 |
| 15 | 9.50 | 7.00 | 8.10 | 8.87 | 44 | 24.00 | 21.50 | 22.60 | 23.37 |
| 16 | 10.00 | 7.50 | 8.60 | 9.37 | 45 | 24.50 | 22.00 | 23.10 | 23.87 |
| 17 | 10.50 | 8.00 | 9.10 | 9.87 | 46 | 25.00 | 22.50 | 23.60 | 24.37 |
| 18 | 11.00 | 8.50 | 9.60 | 10.37 | 47 | 25.50 | 23.00 | 24.10 | 24.87 |
| 19 | 11.50 | 9.00 | 10.10 | 10.87 | 48 | 26.00 | 23.50 | 24.60 | 25.37 |
| 20 | 12.00 | 9.50 | 10.60 | 11.37 | 49 | 26.50 | 24.00 | 25.10 | 25.87 |
| 21 | 12.50 | 10.00 | 11.10 | 11.87 | 50 | 27.00 | 24.50 | 25.60 | 26.37 |
| 22 | 13.00 | 10.50 | 11.60 | 12.37 | 51 | 27.50 | 25.00 | 26.10 | 26.87 |
| 23 | 13.50 | 11.00 | 12.10 | 12.87 | 52 | 28.00 | 25.50 | 26.60 | 27.37 |
| 24 | 14.00 | 11.50 | 12.60 | 13.37 | 53 | 28.50 | 26.00 | 27.10 | 27.87 |
| 25 | 14.50 | 12.00 | 13.10 | 13.87 | 54 | 29.00 | 26.50 | 27.60 | 28.37 |
| 26 | 15.00 | 12.50 | 13.60 | 14.37 | 55 | 29.50 | 27.00 | 28.10 | 28.87 |
| 27 | 15.50 | 13.00 | 14.10 | 14.87 | 56 | 30.00 | 27.50 | 28.60 | 29.37 |
| 28 | 16.00 | 13.50 | 14.60 | 15.37 | 57 | 30.50 | 28.00 | 29.10 | 29.87 |
| 29 | 16.50 | 14.00 | 15.10 | 15.87 | 58 | 31.00 | 28.50 | 29.60 | 30.37 |
| 30 | 17.00 | 14.50 | 15.60 | 16.37 | 59 | 31.50 | 29.00 | 30.10 | 30.87 |
| 31 | 17.50 | 15.00 | 16.10 | 16.87 | 60 | 32.00 | 29.50 | 30.60 | 31.37 |
| 32 | 18.00 | 15.50 | 16.60 | 17.37 | | | | | |

| | | | | |
|----------------------------|----------|------------|------|----|
| TOLERANCE UNLESS SPECIFIED | | DATE | DAR. | BY |
| LINEAR | ANGLE | 2014.06.18 | CHK. | BY |
| .X ± 0.15 | X' ± 2° | SCALE | APP. | BY |
| .XX ± 0.20 | X' ± 2° | 1/1 | mm | |
| .XXX ± 0.10 | XX' ± -- | UNIT | | |



TITLE: FPC 0.5Pitch 1.0mm 前置连接器
DWG NO. MRK-FC13-510-0016

深圳市迈瑞康电子有限公司