

RoHS

REV	ECN NO.	ECN LOGO.	DATE	SIGN	DESCRIPTION
A			4/21'10		RELEASED

Note:

1.Material

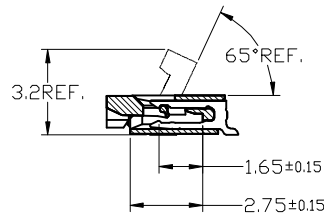
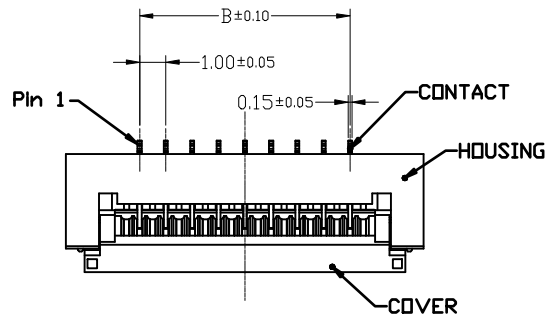
- 1.1: Housing: LCP UL94-V0 Color:Black.
- 1.2: Actuator: LCP UL94-V0 Color:Black.
- 1.3: Contact: Phosphor Bronze.
- 1.4: LEG: Brass.

2.Plating

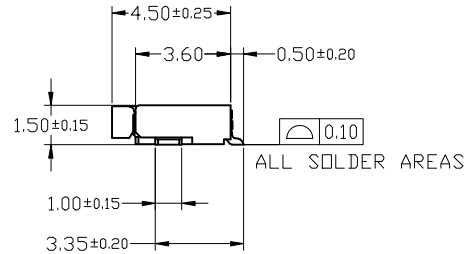
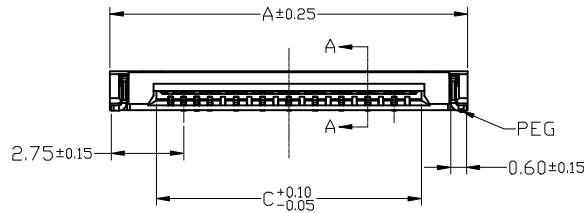
- 2.1: Contact: Matte Tin Or Gold Plating Nickel Overall .
- 2.2: LEG: Matte Tin Plating Over Nickel.

3.Rating:

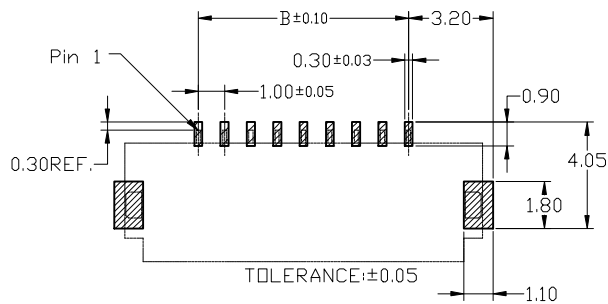
- 3.1: Operating Voltage: 50V AC/DC.
- 3.2: Current Rating: 0.4A AC/DC.
- 3.3: Operating Temperature: -25°C~+85°C.



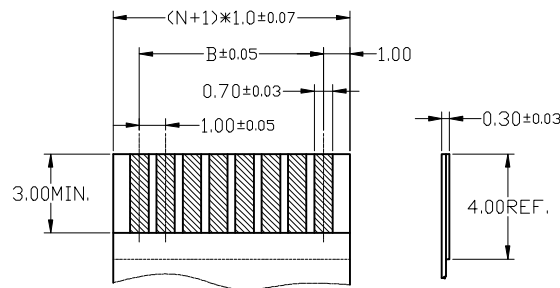
SECTION A-A



PIN NO.	DIM. A	DIM. B	DIM. C
04	8.60	3.00	5.07
05	9.60	4.00	6.07
06	10.60	5.00	7.07
07	11.60	6.00	8.07
08	12.60	7.00	9.07
09	13.60	8.00	10.07
10	14.60	9.00	11.07
11	15.60	10.00	12.07
12	16.60	11.00	13.07
13	17.60	12.00	14.07
14	18.60	13.00	15.07
15	19.60	14.00	16.07
16	20.60	15.00	17.07
17	21.60	16.00	18.07
18	22.60	17.00	19.07
19	23.60	18.00	20.07
20	24.60	19.00	21.07
21	25.60	20.00	22.07
22	26.60	21.00	23.07
23	27.60	22.00	24.07
24	28.60	23.00	25.07
25	29.60	24.00	26.07
26	30.60	25.00	27.07
27	31.60	26.00	28.07
28	32.60	27.00	29.07
29	33.60	28.00	30.07
30	34.60	29.00	31.07
31	35.60	30.00	32.07
32	36.60	31.00	33.07
33	37.60	32.00	34.07



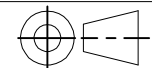
RECOMMEND PCB LAYOUT



APPLICABLE FFC
TOLERANCE:±0.05

TOLERANCE UNLESS SPECIFIED		DATE 8/21'10	DAR. BY SC.Zhang	MATERIAL SEE NOTE 1
LINEAR	ANGLE	SCALE 1:1	CHK. BY	FINISH ---
.X ±0.15	X° XX	UNIT mm	APP. BY	PART NO. ---
.XX ±0.08	.X° XX			
.XXX ±0.02	.XX° XX			

深圳市迈瑞康电子有限公司



TITLE: FPC 1.0Pitch 1.5H 掀盖式 Packing

DWG NO. MRE-FC01-115-0024

REV. A

D