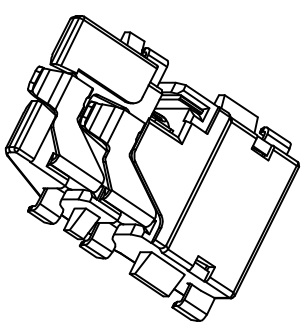
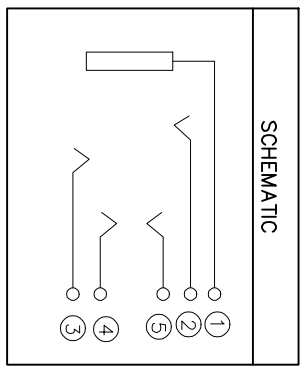
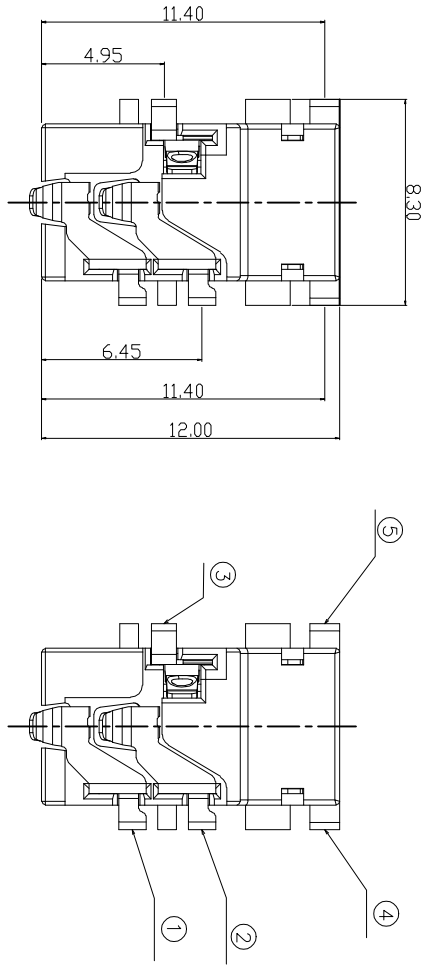
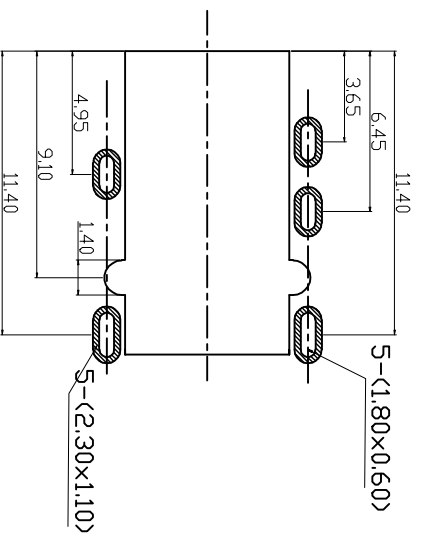
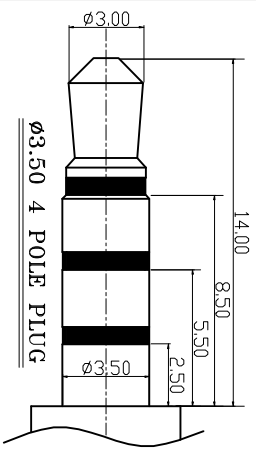
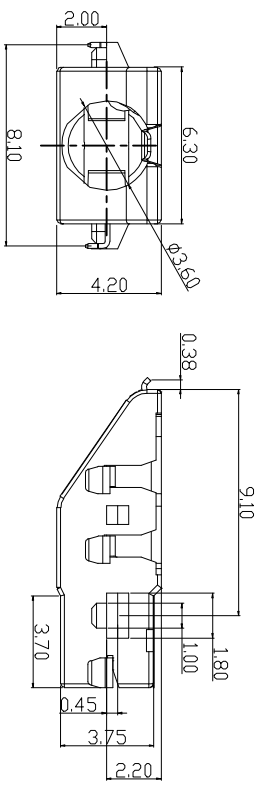


ECN NO.	REV	DATE	DESCRIPTION	APP'D



NOTES:  
 1 MATERIAL:  
 1.1 HOUSING: UI94V-0, COLOR: BLACK  
 1.2 CONTACT: SUS ALLOY  
 2 PLATING:  
 2.1 CONTACTS PLATING: SEE ORDERING INFORMATION



RECOMMEND PCB LAYOUT  
 TOLERANCE ±0.05

LINEAR	ANGLE	NAME (INTENDED USE)
X ±	X ° ±	PART NO. (INTENDED USE)
.X ±	.X ° ±	MR-P109-200-0021
.XX ±	.XX ° ±	APPD:
.XXX ±	.XXX ° ±	CHKD: wcy
GENERAL TOLERANCE UNLESS OTHERWISE NOTED		DR: wcy

深圳市迈睿康科技有限公司  
 TITLE: 3.5耳机座接口弯脚SP板2.0  
 反贴 4.2H  
 DWG NO.: MR-P109-200-0021  
 UNITS: mm SCALE: N/A SHEET: 1/1 REV: A/0