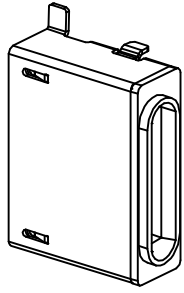


ROHS

PIN NO.	NAME	PIN NO.	NAME
1	DETECT1	7	DN2
2	GND	8	DP2
3	DP1	9	ACC2
4	DN1	10	DETECT2
5	ACC1	Shell	GND
6	PMR IN		



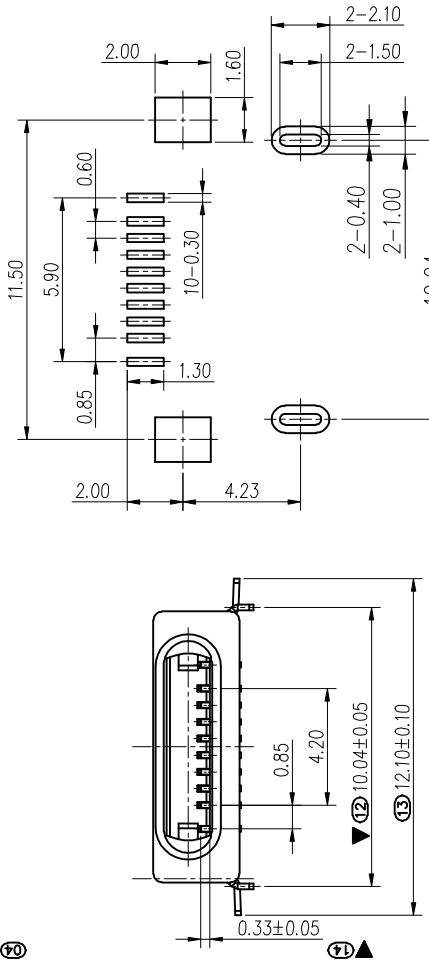
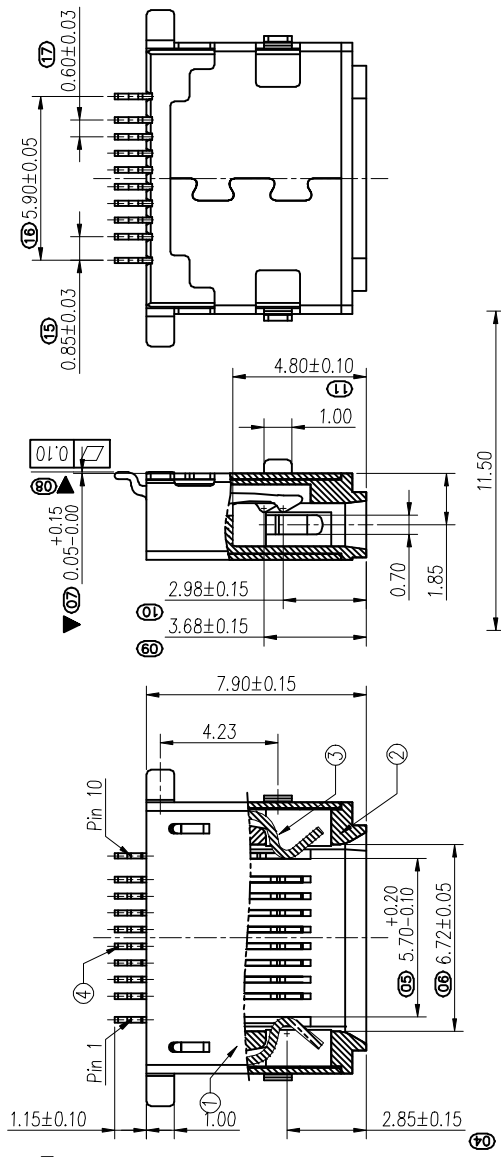
Specification:

1. Electrical Characteristics:
 Contact Current Rating: 1.5 Amperes Max.
 Rated Voltage: 30V Max.
 Dielectric Withstanding Voltage: AC 500V r.m.s.
 Insulation Resistance: 100 MΩ Minimum.
 Contact Resistance: 50 mΩ Maximum.

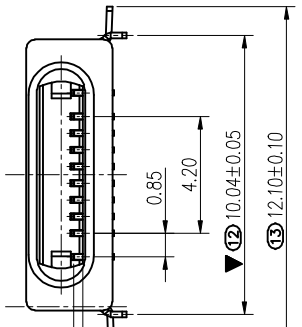
2. Environmental:
 Operating Temperature: -25°C~+85°C.

3. Mechanical Characteristics:
 Insertion Force: 15Nf Max.
 Withdrawal Force: 3Nf Min.
 Durability Cycles: 5000 Cycles.

4. **⊗** Make is FAI test Dimension
▼ Make is major test Dimension



NO.	NAME	DESCRIPTION
4	CONTACT	Copper Alloy; AuNiSn; T=0.20mm;
3	LATCH	Stainless Steel; SUS304, T=0.30mm;
2	HOUSING	LCP Thermoplastic, UL94V-0;
1	SHELL	Stainless Steel; SUS304, T=0.20mm;



07/06-17	yang	NEW-DWG	MARK	1
DATE	DR. BY	ECN. NO.	DESCRIPTION	VER.
-TOLERANCES- UNLESS OTHERWISE SPECIFIED				
公差参考表				
X. ±0.30	X.XXX ±0.100	APPD:	TITLE: I Phone 0.6 Pitch 10P 10 CONN	
X.X ±0.20	X.X' ±3.00'	CHECK:	PRODUCT NO: MRK-US10-060-0060	
X.XX ±0.15	X.XX' ±1.00'	DRAW:	DATE	SCALE
			2017.07.06	1:1
			UNIT	TYPE
			mm	CD
			PAGE	1/1

深圳市迈睿康科技有限公司

RECOMMENDED P.C.B HOLE LAYOUT
 COMPONENT SIDE VIEW (TOLERANCE: +/-0.05)