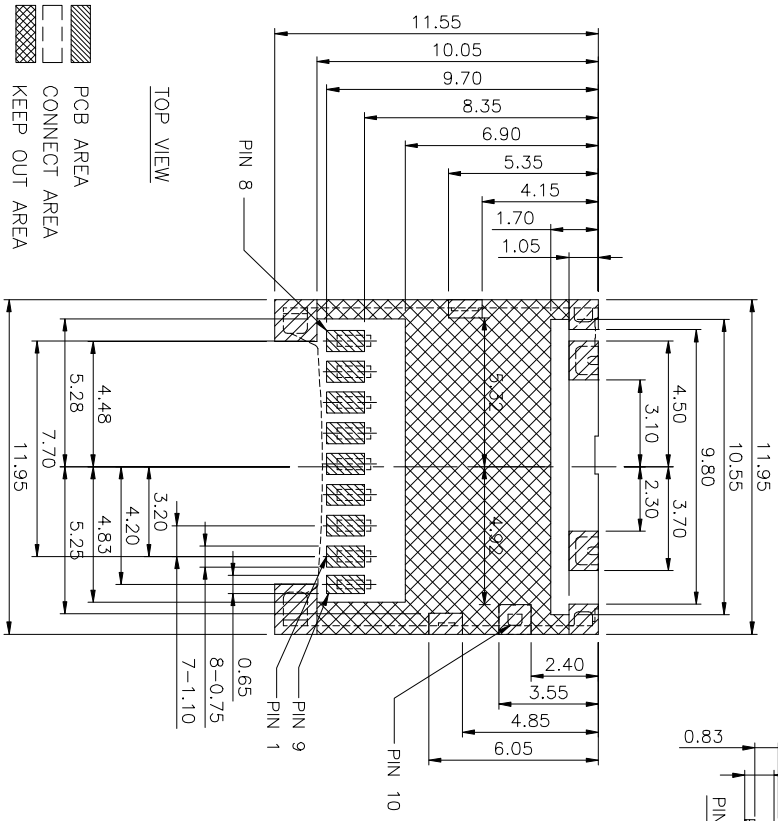
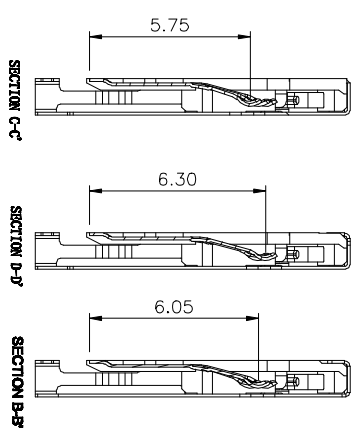
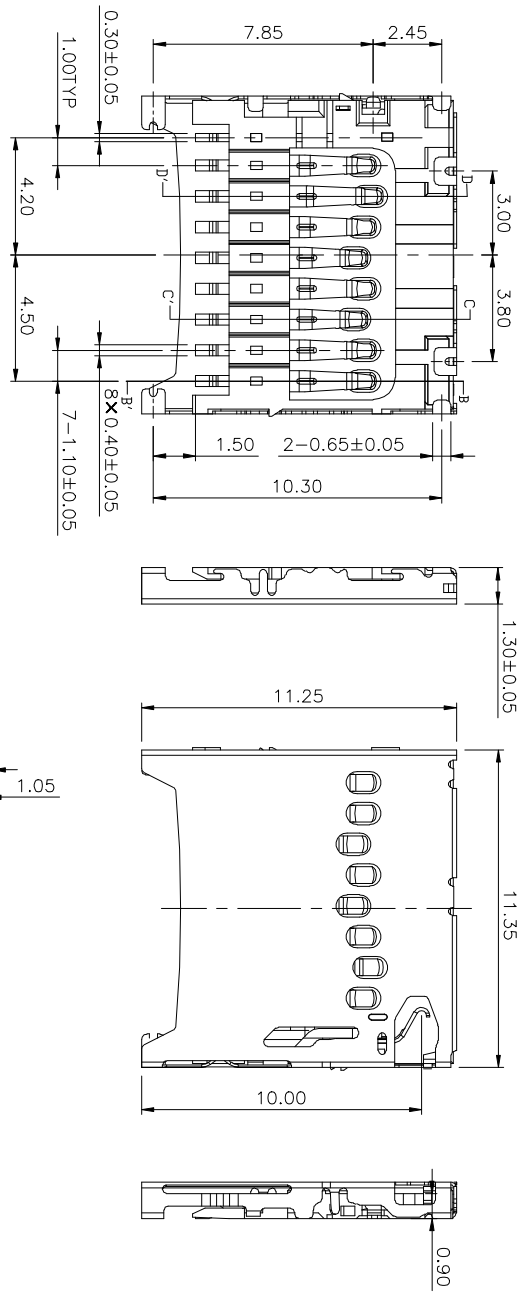
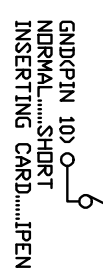


REV.	ECH.NO.	MODIFY:CONTENT	DATE
A/0		NEW	2016/03/13

- MATERIALS**
- HOUSING :THERMOPLASTIC (UL 94V-0).
 - TERMINAL : COPPER ALLOY, PLATING SEE TABLE.
 - SHELL : SUS.

- SPECIFICATION**
- CURRENT RATING : 0.5 A. MAX.
 - DIELECTRIC WITHSTANDING VOLTAGE :
500V AC R.M.S. FOR 1 MINUTE.
 - INSULATION RESISTANCE : 1000MΩ MIN.AT 500V DC.
 - CONTACT RESISTANCE : 100mΩ MAX.
 - OPERATING LIFE: 3000 CYCLES.
 - OPERATING TEMPERATURE : -40°C TO +85°C.
 - CIRCUIT DIAGRAM FOR CARD DETECT SWITCH
CARD DETECT SWITCH (PIN 9)



PCB AREA
CONNECT AREA
KEEP OUT AREA

TOP VIEW

RECOMMEND PCB LAYOUT
TOLERANCE: ±0.05

GENERAL TOLERANCE		DWG NO.	Title	
X.±0.45	X.±5°		TF卡座9P内牌 H1.3	
X.±0.35	X.±2°		DR:	
.XX±0.25	.XX±1°	Part NO.	MKT-TR09-130-0020	
XXX±0.15	.xxx±0.5°	Date	2017/03/13	
SHEET	1/1			

深圳市迈睿康科技有限公司