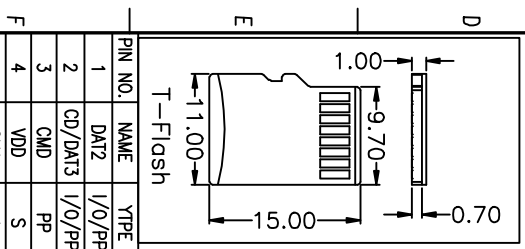
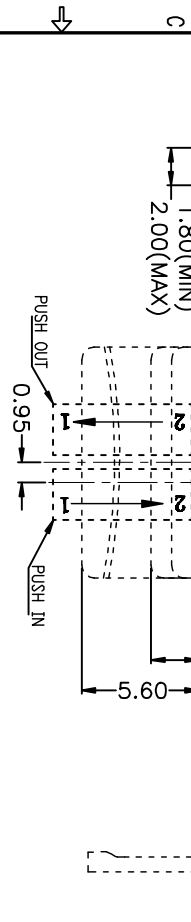
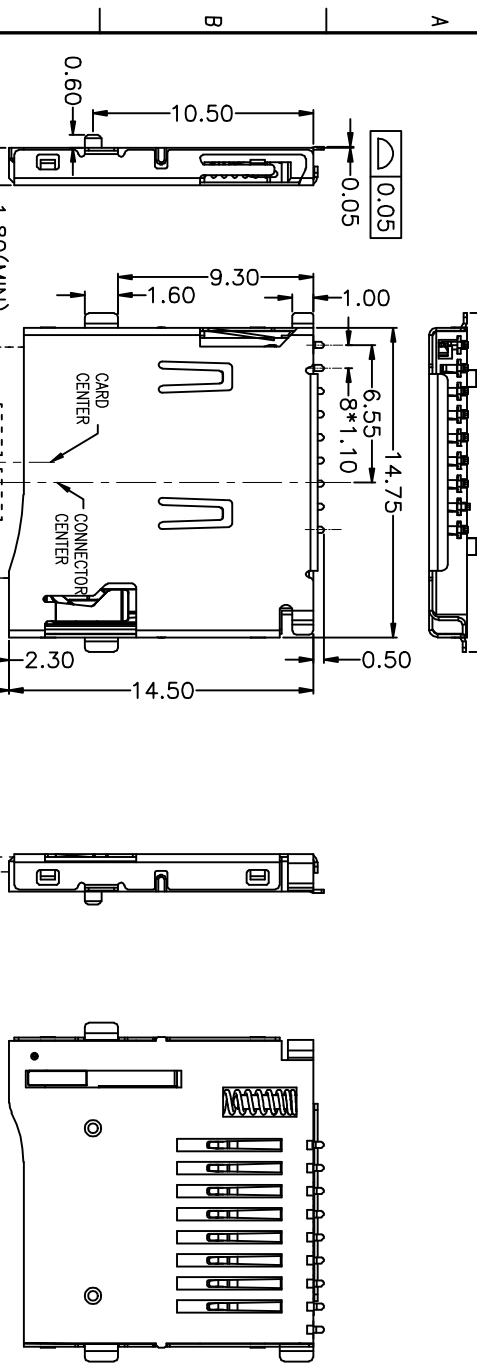
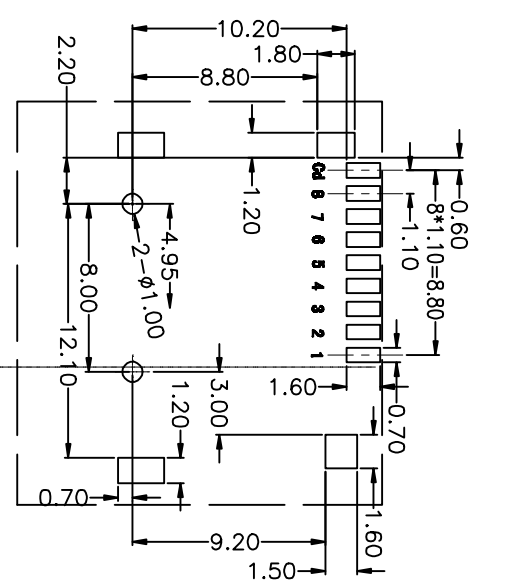


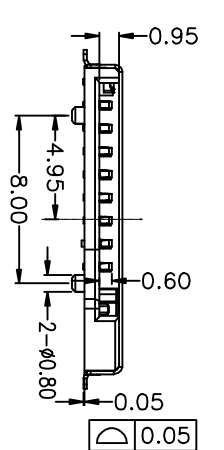
REV.	DESCRIPTION	APPD	DATE



PIN NO.	NAME	TYPE	DESCRIPTION
1	DATE	I/O/PP	DATE LINE(BIT2)
2	CD/DATE3	I/O/PP	CARD DETECT DATE LIN(BIT3)
3	CMD	PP	COMMAND RESPONSE
4	VDD	S	SUPPLY VOLTAGE
5	CLX	I	CLOCK
6	VSS	S	SUPPLY VOLTAGE GROUND
7	DATE	I/O/PP	DATE LINE(BIT0)
8	DATE	I/O/PP	DATE LINE(DIT1)



RECOMMENDED P.C.B HOLE LAYOUT
 COMPONENT SIDE VIEW(TOLERANCE: +/-0.05)



- NOTES:
1. MATERIAL:
 HOUSING: HIGH TEMPERATURE THERMOPLASTIC
 U1.94V_0,COLOR:BLACK.
 CONTACT: COPPER ALLOYS.
 COVER: COPPER ALLOYS OR STEEL.
 2. PLATING:
 UNDERPLATE: NICKEL.
 CONTACT AREA: GOLD OVER NICKEL.
 SOLDER AREA: TIN OVER NICKEL.
 3. MULTIMEDIA CARD COMPATIBLE

PART NO:	MATERIAL:	TITLE:
LOT NO:	FINISH:	DR:
UNIT:	SIZE:	DR:
TOLERANCES:	GENERAL ANGLE:	CHK:
XX=±0.35	XX=±3.0°	APP:
XXX=±0.25	XX=±2.0°	SCALE:
X,XXX=±0.15		SHEET:
		1 OF 3
		REV: B/2

深圳市迈瑞康电子有限公司
 下外焊卡座带双压片