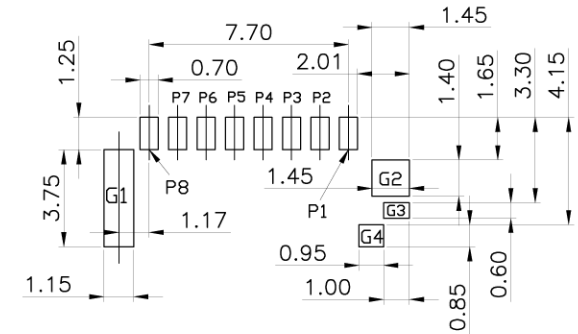
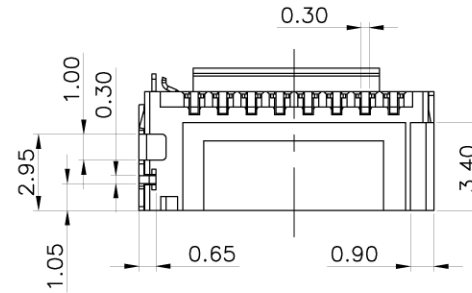
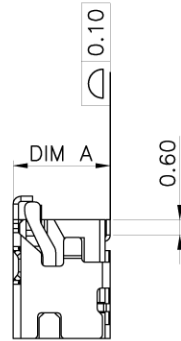
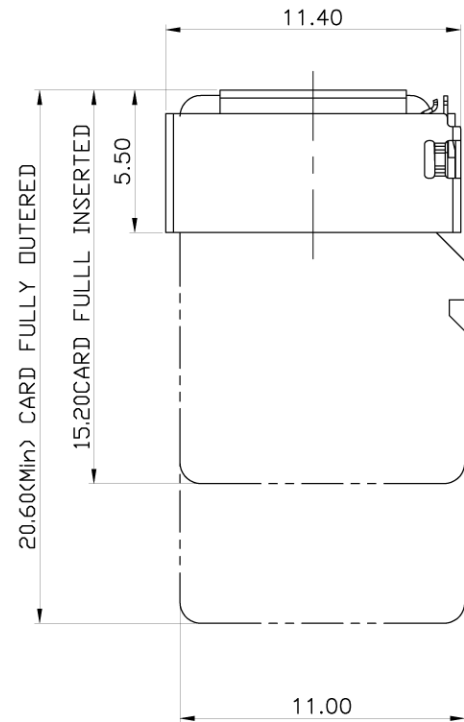
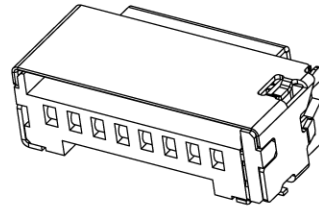


# 短 T-FLASH CARD



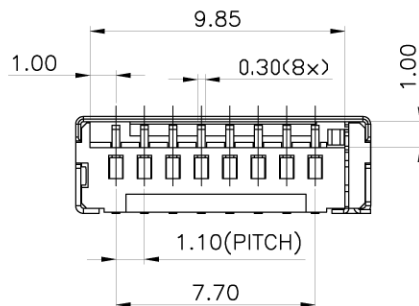
Recommended P.C.B. Layout  
 (Tolerance=±0.05)  
 AS VIEW FORM COMPONENT SIDE



NOTES:  
 1.MATERIAL  
 HOUSING:THERMOPLASTIC,UL94V-0;COLOR:BLACK  
 CONTACT:COPPER ALLOY  
 CONTACT:COPPER ALLOY T=0.15MM  
 DETECT PIN COPPER ALLOY T=0.15MM  
 SHIELDED:STAINLESS STEEL T=0.20  
 2.FINISH  
 CONTACT: NICKEL UNDERPLANED AND GOLD PLANTING  
 OVER ALL,OR TIN PLANTING ON SOLDER AREA  
 NAIL: NICKEL UNDERPLANED AND TIN PLANTING OVER ALL

Connector Pin Ass

Pin NO.	PIN NUMBER
P1	DAT2
P2	CD/DAT3
P3	CMD
P4	VDD
P5	CLK
P6	VSS
P7	DAT0
P8	DAT1
G1	GND
G2	GND
G3	POL
G4	DET



## 深圳市迈瑞康电子有限公司

3.75H		
3.00H		
TYPE	PART NO.	DIM A

▽ :Critical Dim * :Major	CUSTOMER P/N: MRK-TF22-300-0012	PART NO.:	
TOLERANCE: X.X @0.35 X.XX @0.25 ANGLE ±3°	DRAWN BY	DRAWING NO.	
	CHECKED BY	DRAWING SIZE	4:1
	APPROVED BY	UNIT	mm
	SORTING NO.	PAGE	1 OF 1