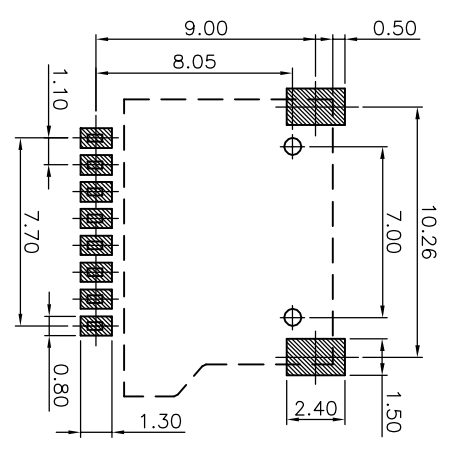
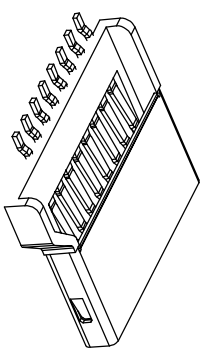
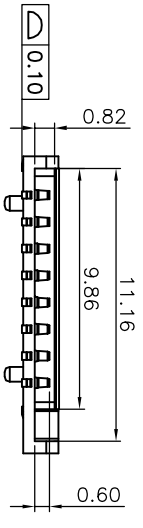
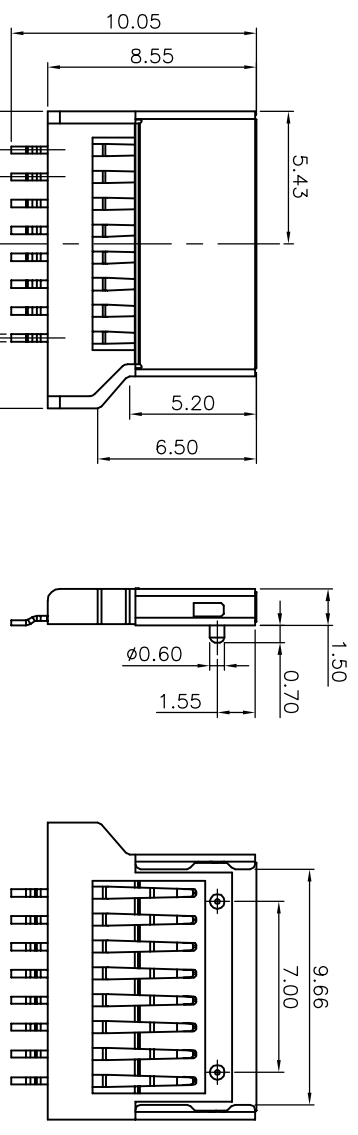
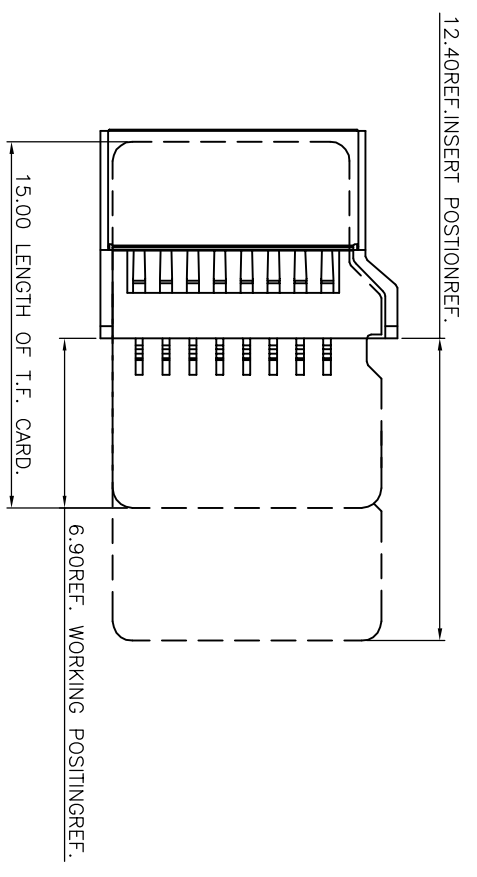


REV.	EGN.NO.	T	DATE
A			2011/10/31



Recommended P.C.B. Layout (Tolerance = ±0.05)  
AS VIEW FORM COMPONENT SIDE

NOTES:  
1. MATERIAL  
HOUSING: THERMOPLASTIC, UL94V-0; COLOR: BLACK  
CONTACT: COPPER ALLOY  
SHELL: STAINLESS STEEL  
2. FINISH  
CONTACT: NICKEL UNDERPLANNED AND GOLD PLANTING  
OVER ALL OR TIN PLANTING ON SOLDER AREA  
NAL: NICKEL UNDERPLANNED AND TIN PLANTING OVER ALL

图号	品名	料号	设计	审核	日期	比例	单位
X.X	±0.35					1:1	mm
X.XX	±0.25						
ANGLE	±3°						视角
		MRK-TF22-150-0012			2011/10/31		版本

页 数 2/2

深圳市迈瑞康电子有限公司