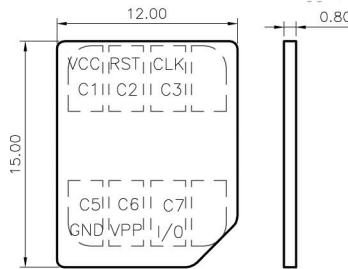
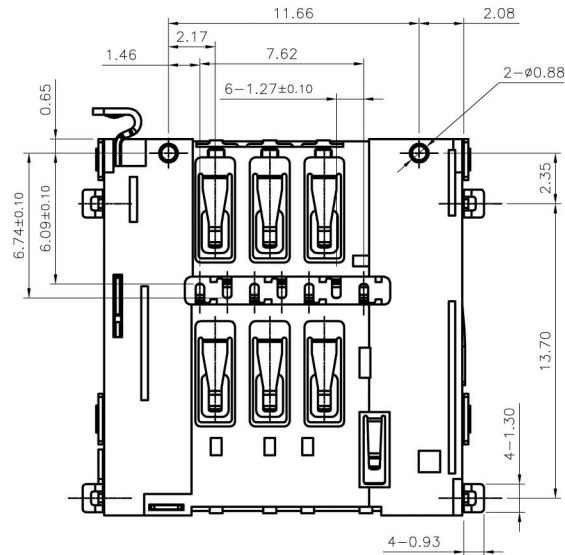
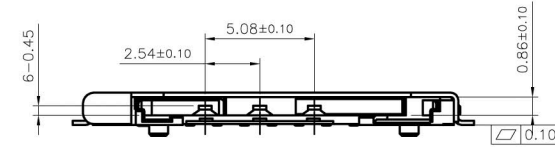


RECOMMENDED PC BOARD LAYOUT
 TOLERANCE: ±0.05[TOP VIEW]

NOTES:

- ELECTRICAL CHARACTERISTICS:
 - 1-1. CURRENT RATING: 1 Amp/PIN. MAX.
 - 1-2. VOLTAGE: 30V DC. MAX.
 - 1-3. LOW LEVEL CONTACT RESISTANCE: 30 mOhms MAX. INITIALLY.
 - 1-4. DIELECTRIC WITHSTANDING VOLTAGE: 500V AC MIN. FOR 1 MINUTE.
 - 1-5. INSULATION RESISTANCE: 100MOhms MIN.. (DC 500V FOR 1 MINUTE)
- MECHANICAL CHARACTERISTICS:
 - 2-1. DURABILITY: 1500 CYCLES.
 - 2-2. OPERATING FORCE (INSERTING & WITHDRAWAL): 1N-10N.
- ENVIRONMENTAL CHARACTERISTICS:
 - 3-1. OPERATING TEMP. RANGE: -25°C TO 85°C. [INCLUDING TERMINAL TEMP. RISE]
 - 3-2. STORAGE TEMP.: -40°C TO 85°C.
- QUANTITY OF PRODUCTS: 1400PCS/REEL MIN.
- PLEASE CONTACT SALES REPRESENTATIVE TO VERIFY PRODUCT DETAILS.



Micro sim Spec.

ITEM	PART NAME	Q'TY	DESCRIPTION
5	CAM	1	SUS, NO PLATING
4	LEVER	1	SUS, NO PLATING
3	SHELL	1	SUS, GOLD PLATING
2	HOUSING	1	LCP, BLACK
1	CONTACT	1	BRONZE ALLOY, GOLD PLATING

UNLESS OTHERWISE SPECIFIED TOLERANCES

DECIMALS: X ±0.5, X.X ±0.20, X.XX ±0.10
 ANGLES: X ±2°, X.X ±1°

深圳市迈睿康科技有限公司

TITLE: MICRO SIM 卡座 6PIN H1.5 内焊式
 DWN: PART NO. MRK-SM08-150-0024
 CHKD: SCALE:1:1, UNIT: mm, APVD: SIZE: A4, SHEET:1OF 2, REV: X2