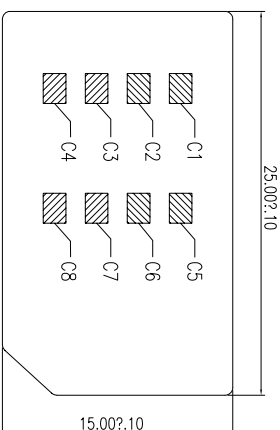
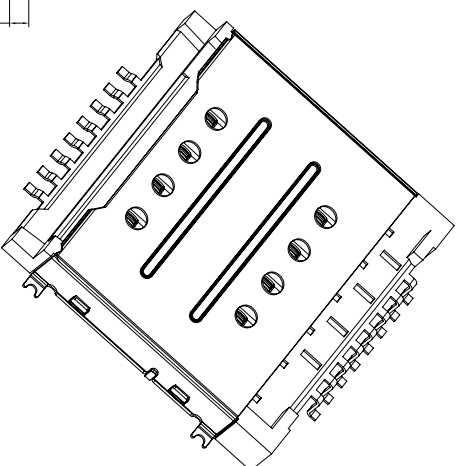
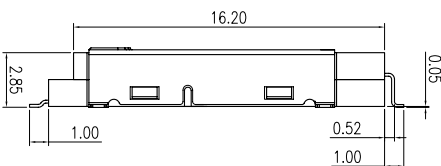
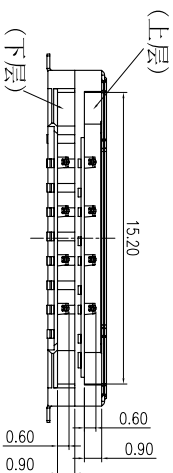
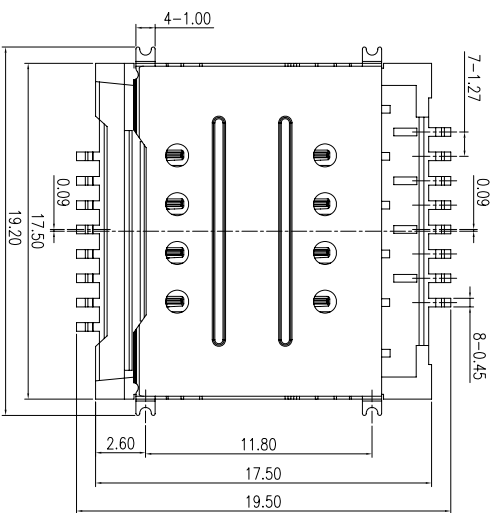
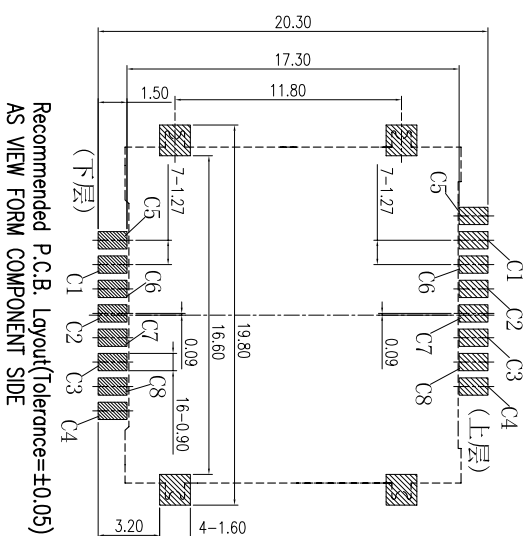


REV.	DESCRIPTION	APPD	DATE

### 双层 SIM CARD CONNECTOR (短上层)



PIN NO.	PIN NAME
C1	VCC
C2	RST
C3	CLK
C4	Reserved
C5	GND
C6	VPP
C7	I/O
C8	Reserved



NOTES:  
 1. MATERIAL  
 HOUSING: THERMOPLASTIC, UL94V-0; COLOR: BLACK  
 CONTACT: COPPER ALLOY  
 SHELL: STAINLESS STEEL  
 2. FINISH  
 CONTACT: NICKEL UNDERPLATED AND GOLD PLANTING  
 OVER ALL  
 OR NICKEL UNDERPLATED AND GOLD PLANTING  
 ON CONTACT AREA; TIM PLANTING ON SOLDER AREA  
 SHELL: NICKEL UNDERPLATED AND GOLD PLANTING ON SOLDER AREA.

PART NO:		MATERIAL:	
LOT NO:		FINISH:	
UNIT: MM	SIZE: A4	COLOR:	
TOLERANCES: X.X=±0.35 X.XX=±0.25 X.XXX=±0.15		GENERAL ANGLE: X.X=±0.0° X.XXX=±0.0°	
DR:	DWG NO:	APP:	SCALE:
CHK:	MRK-SM00-300-0000	SHEET:	1 OF 1
TITLE: SIM 双层卡座 带阶梯3.0H		REV:	B/0

深圳市迈瑞康电子有限公司

F

E

D

C

B

A

F

E

D

C

B

A