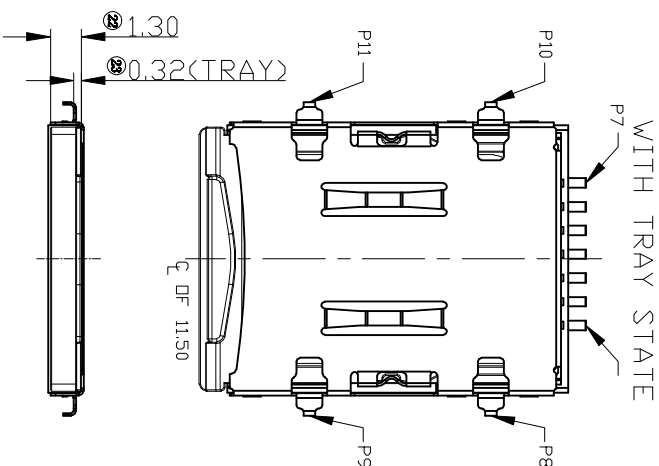
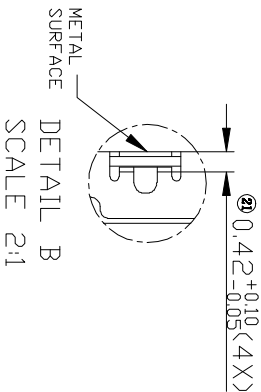
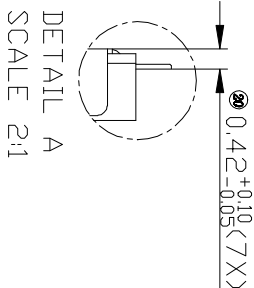
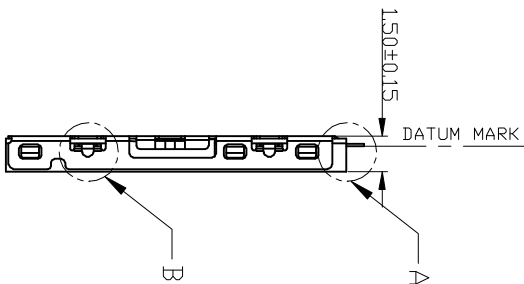
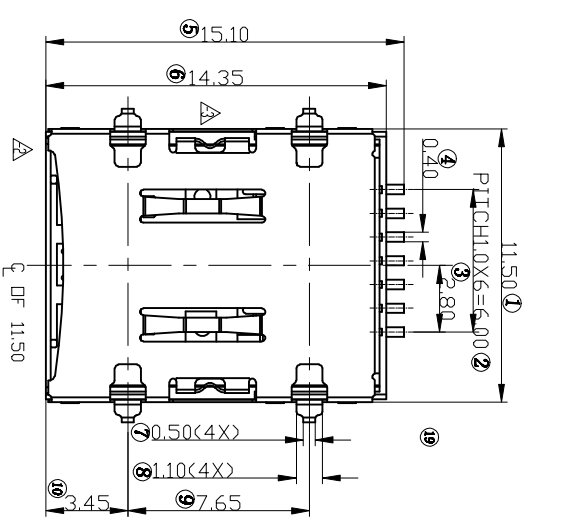


REV.	ECN.NO.	MODIFY.CONTENT	DATE
A		NEW	2016/02/24



OPEN/CLOS OF SWITCH :

DETECT SWITCH FOR CARD	
CARD UNINSERTION	OPEN
CARD INSERTION	CLOSE
M10	

GENERAL TOLERANCE	DEC IN.	APPD.	YMD	Scale	1:1
X.±0.45	X.±5'			UNIT	MM
.X±0.35	.X±2'	Title			
.XX±0.25	.XX±1'	Part No.			
XXX±0.15	.xxx±0.5'	MRK-SM00-150-0007	Date		
SHEET 1/2			2016/02/24		

深圳市迈瑞康电子有限公司

NOTE:

- (1)MATERIAL:
- 1-1 PLASTICS: LCP,UL94V-0,COLOR: BLACK
- 1-2 CONTACT: CS210
- 1-3 SHELL: SUS304
- 1-4 TRAY: LCP,UL94V-0,COLOR: BLACK
- (2)PLATING:
- 2-1 CONTACT:
- 2-1-1 CONTACT AREA: 08μ" Au PLATING
- 2-1-2 SOLDER TAIL AREA: 100μ" MATTE TIN PLATING OVER 50μ" Ni
- 2-2 SHELL:
- 2-2-1 SOLDERABLE 30μ" Ni PLATING OVER ALL
- (3)CONTACT AND TAIL COPLANARITY TD BE 0.10mm Max.