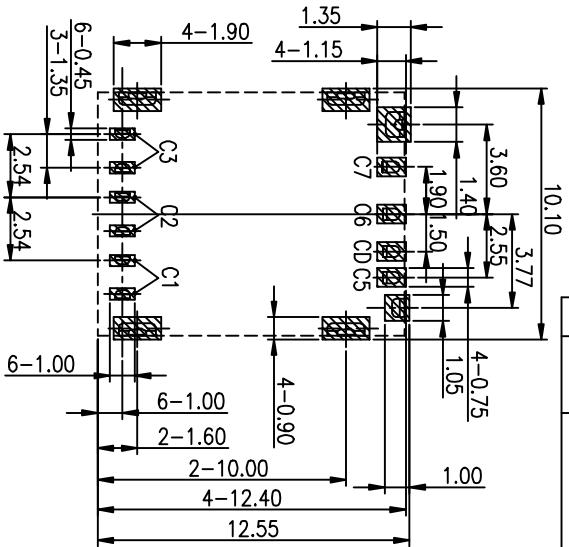
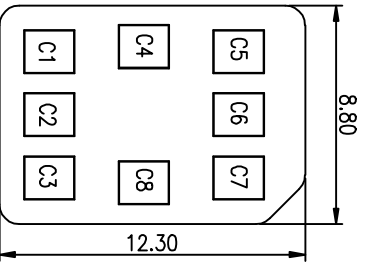


Nano SIM Circuit Description:

PIN No.	FUNCTION
C1	VCC
C2	RST
C3	CLK
C4	RESERVED
C5	GND
C6	VPP
C7	I/O
C8	RESERVED

CIRCUIT

Inserted Card	C5 —○— Detect
Withdrawal Card	C5 —○— Detect



REFERENCE PCB LAYOUT
TOLERANCE: ±0.05

- NOTES:
- MATERIAL:
 - Housing: High Temperature Thermoplastic
 - Terminal: Copper Alloy, UL94V-0; Color Black.
 - Shell: Stainless Steel.
 - SPECIALTY:
 - Rated current: 0.5A
 - Rated voltage: 30V
 - Contact Resistance: 50mΩ MAX
 - Insulation Resistance: 1000MΩ MIN 500V DC
 - Dielectric withstanding voltage: 500V AC.
 - Solder ability: 245±5°C, 5±0.5s.
 - Durability: 5000 Cycles Min.
 - Operating condition: Temperature: -40°C~+85°C, Humidity 80% R.H MAX

GENERAL TOLERANCE	DWG. NO.	APPD.	WIND	Scale
X.±0.45	X.±5°	CHKD:		1:1
X.±0.35	X.±2°	DR:		UNIT
X.X±0.25	.XX'±1°	Part No.		mm
.XXX±0.15	.xxx'±0.5°	DATE	2016/12/29	
SHEET 1/1				

NANO SIM CARD 1.4H

HKC-SMD-140-0005

深圳市迈瑞康电子有限公司