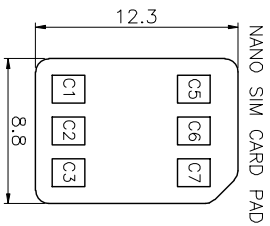
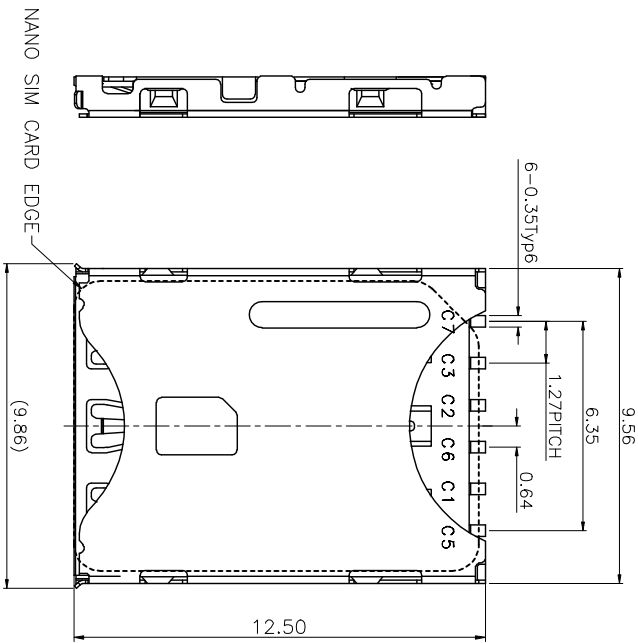


|     |                |     |                    |                 |
|-----|----------------|-----|--------------------|-----------------|
| ③   | TERMINAL       | 6   | CS210-EH .1=0.10mm | ALU SUR PLATING |
| ②   | BASE INSULATOR | 1   | LCP+GF40%          | BLACK           |
| ①   | SHELL          | 1   | SUS304-H1=0.10mm   | ALUM PLATING    |
| NO. | PART NAME      | QTY | DESCRIPTION        | NOTE            |



**SPECIFICATIONS:**

**1.ELECTRICAL CHARACTERISTICS:**

1-1.CURRENT RATING:1A

1-2.DIELECTRIC WITHSTANDING VOLTAGE:500V R.M.S MIN;

1-3.INSULATION RESISTANCE:500M Ω MAX.

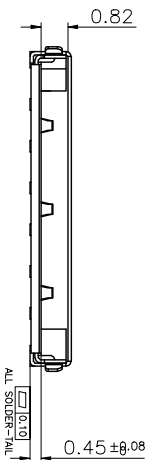
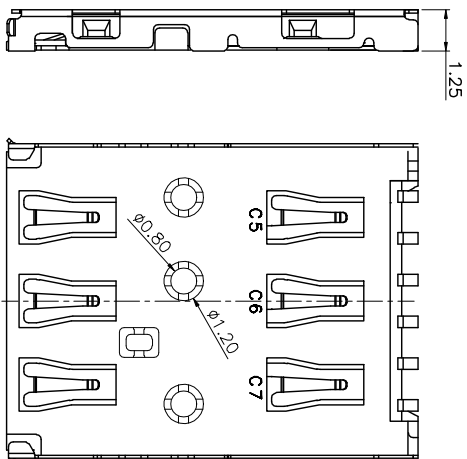
1-4.CONTACT RESISTANCE:100M Ω MAX.(INITIAL)

**2.LIFE TEST:15000CYCLES**

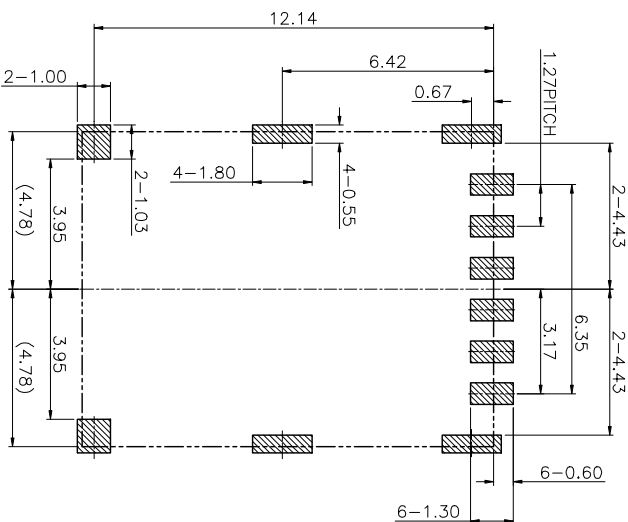
3.OTHER GENERAL SPEC.TO REFER "2SM2021-000111F SPEC" ..

4.TO CONFORM TO SINGATRON HAZARDOUS SUBSTANCE FREE SPEC.

5.PACKAGING:TAPE & REEL



Recommended PCB Layout  
(General tolerance:±0.05)



NANO SIM CARD PIN MAP

|    |             |
|----|-------------|
| 6P | DESCRIPTION |
| C1 | VCC         |
| C2 | RST         |
| C3 | CLK         |
| C4 | Reserved    |
| C5 | GND         |
| C6 | Vpp         |
| C7 | I/O         |
| C8 | Reserved    |

| GENERAL TOLERANCE | 图号        | 批号                | WIND       | 比例  |
|-------------------|-----------|-------------------|------------|-----|
| X±0.35            | X-.15'    |                   |            | 1:1 |
| X±0.30            | X.±2'     |                   |            | mm  |
| .XX±0.20          | .x'±1'    | 料号                | 日期         | mm  |
| .XXX±0.15         | .xxx±0.5' | MRK-SM00-125-0004 | 2016/07/26 | mm  |
| 页号                | 1/1       |                   |            | mm  |
|                   |           |                   |            | mm  |

深圳市迈瑞康电子有限公司