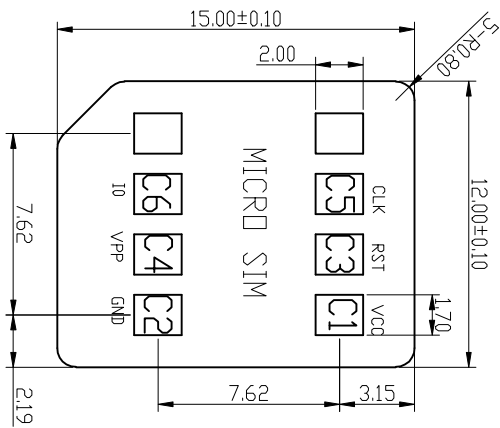
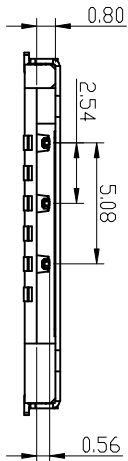
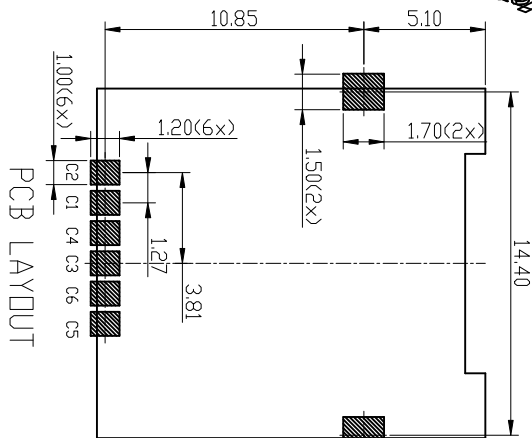
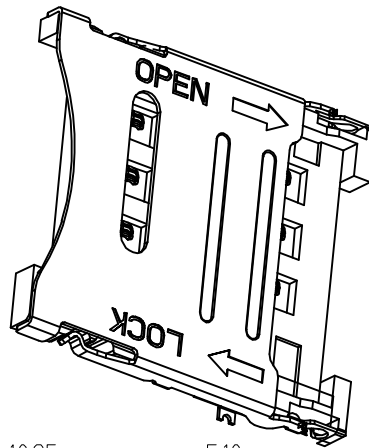
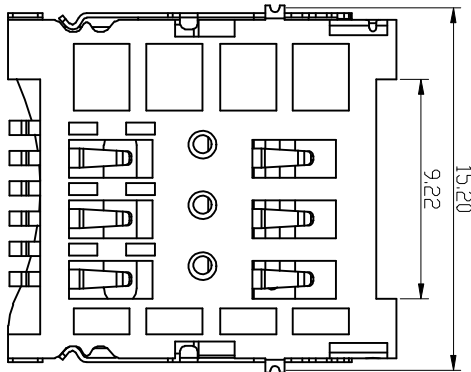
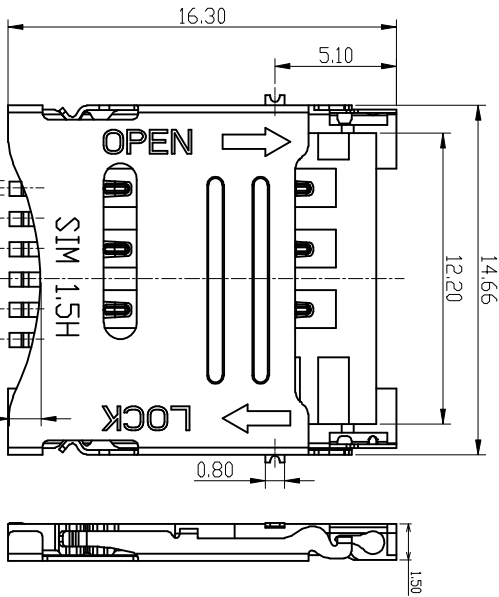


REV.	DESCRIPTION	APPD	DATE



PIN NO.	NAME	PIN NO.	NAME
C1	VCC	C4	VPP
C2	GND	C5	CLK
C3	RST	C6	IO

- NOTES:**
- 1. MATERIAL:**
- 1) HOUSING MATERIAL: THERMOPLASTIC U94F-0; COLOR: BLACK
  - 2) CONTACT MATERIAL: COPPER ALLOY T-0, 15um
  - 3) SHELL MATERIAL: STAINLESS STEEL, T-0, 15um
- 2. FINISH:**
- 1) CONTACT FINISH: 50u" MIN. NICKEL UNDER PLATED, PLATED 3u" Au ON CONTACT AREA; PLATED GOLD FLASH ON SOLDER AREA.
  - 2) SHELL FINISH: 50u" MIN. NICKEL UNDER PLATED, PLATED GOLD FLASH ON SOLDER AREA.
- 3. ELECTRICAL SPECIFICATIONS:**
- 1) VOLTAGE RATING: 12 VAC
  - 2) CURRENT: 1 AMPERES MAX. PER CONTACT
  - 3) OPERATION TEMPERATURE RANGE: -25°C ~ +70°C
  - 4) CONTACT RESISTANCE: 60M MAX.
  - 5) INSULATION RESISTANCE: 1000M MIN.
  - 6) DIELECTRIC WITHSTANDING VOLTAGE: 500V AC FOR 1 MINUTE
  - 7) MAX. PROCESSING TEMP: 260°C for 30 SECONDS

PART NO:	MATERIAL:	TITLE:
LOT NO:	FINISH:	深圳市迈睿康科技有限公司
UNIT: MM	SIZE: A4	DR: PENTUM 10-16/14
TOLERANCES: XX±0.35	GENERAL ANGLE: XX=2.0°	CHK: DRG NO: WRC-SM01-150-0006
XX±0.25	XX=2.0°	SCALE: 1:1
XX±0.15	XX=2.0°	SHEET: 1 OF 1
		REV: B/0